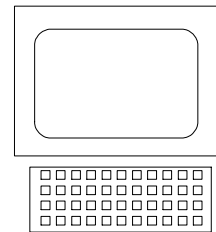
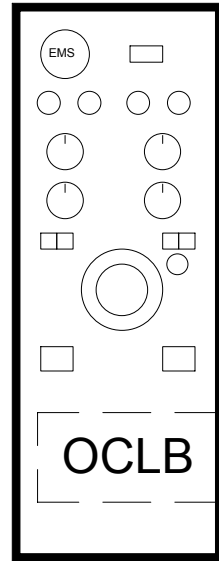


FACTORY POWER

Operator Control Panel



120 VAC
2 Phase

5/±12V

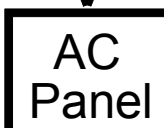
RS-232
Input/
Control

PMAC2 and breakout boards

Acc 8E

Acc 8E

Opto

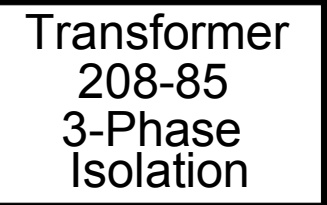


208 VAC 4 WIRE
63 AMPERES

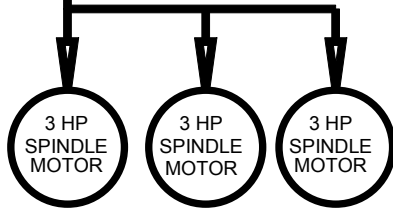
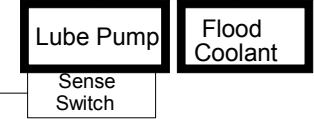
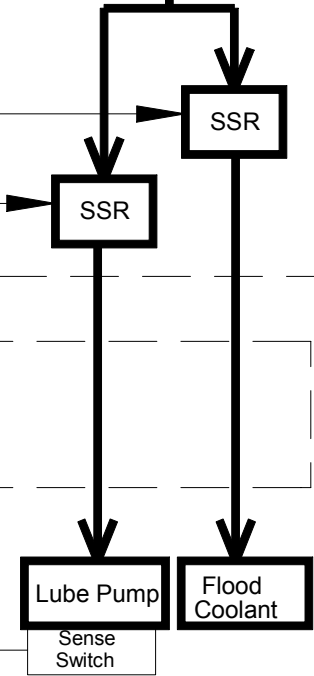
3 Phase
208 VAC

2 Phase
120 VAC

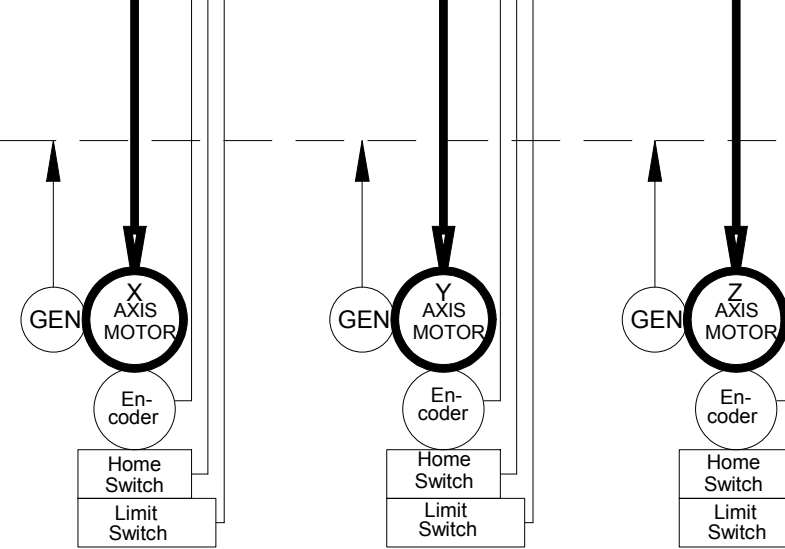
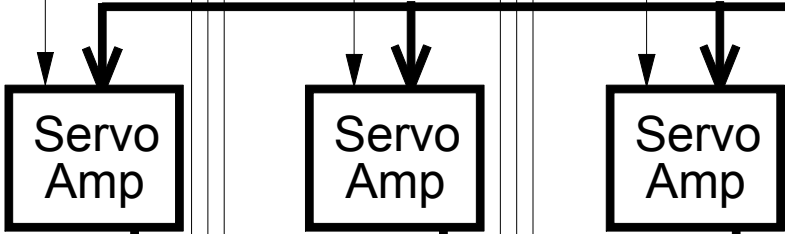
3 Phase
208 VAC



19" RACK



MACHINE WIRING ENCLOSURE



GEN MEANS GENERATOR
EMS MEANS EMERGENCY STOP
EMO MEANS EMERGENCY OFF

UNLESS OTHERWISE NOTED			DSGN	PAUL RAKO	11/18
2 PLC	3 PLC	ANGLE			
0.020	0.010	.5			
REMOVE BURRS & SHARP EDGES					
SURFACE FINISH ✓ 125			THIS DRAWING CONTAINS PROPRIETARY INFORMATION AND IS NOT TO BE USED OR REPRODUCED WITHOUT THE PERMISSION OF RAKO STUDIOS		
ONLY SCALE ORIGINALS					
FINISH:					
MATERIAL:			COPYRIGHT© 2018 RAKO STUDIOS		

RAKO STUDIOS

BLOCK DIAGRAM, MILLING MACHINE

SIZE	DRAWING NUMBER	REV.
B	Block-diagram_RakoMatic_redo	1

SCALE 1:1 SHEET 1 OF 1